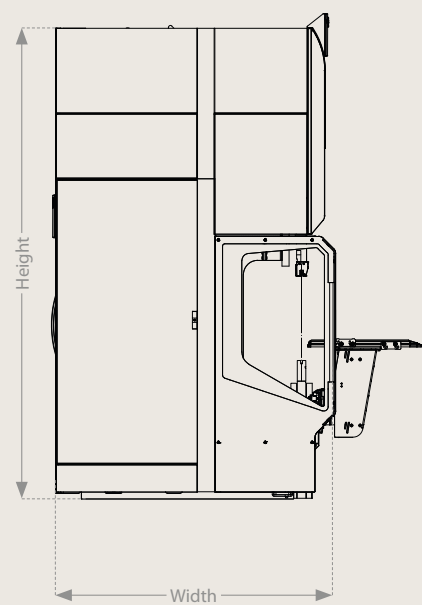
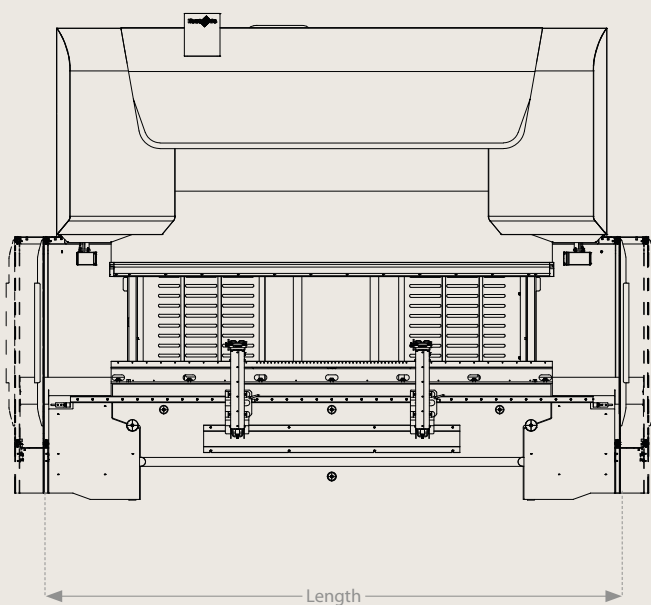


Technical Data

Xpert Pro

	Xpert Pro 100/3100	Xpert Pro 150/3100	Xpert Pro 200/3100	Xpert Pro 200/4300	Xpert Pro 250/3100	Xpert Pro 250/4300	Xpert Pro 320/4300	
Length	164.6	164.6	166.9	206.3	166.9	206.3	207.1	inch
Width	78.7	78.7	78.7	78.7	78.7	78.7	78.7	inch
Height	108.3	108.3	120.5	120.5	120.5	120.5	120.5	inch

	Xpert Pro Extended 100/3100	Xpert Pro Extended 150/3100	Xpert Pro Extended 200/3100	Xpert Pro Extended 200/4300	Xpert Pro Extended 250/3100	Xpert Pro Extended 250/4300	Xpert Pro Extended 320/4300	
Length	164.6	164.6	166.9	206.3	166.9	194.9	207.1	inch
Width	78.7	78.7	78.7	78.7	78.7	78.7	78.7	inch
Height	131.9	131.9	140.2	140.2	140.2	140.2	144.1	inch



Type	Xpert Pro 100/3100	Xpert Pro 150/3100	Xpert Pro 200/3100	Xpert Pro 200/4300	Xpert Pro 250/3100	Xpert Pro 250/4300	Xpert Pro 320/4300	
Tonnage	110	165	220	220	275	275	352	t
Bending length	122.1	122.1	122.1	169.2	122.1	169.2	169.2	inch
Standard stroke (S)	9.8	9.8	9.8	9.8	9.8	9.8	9.8	inch
Open height (D)	25.2	25.2	25.2	25.2	25.2	25.2	25.2	inch
Distance between side frames	108.3	108.3	108.3	147.7	108.3	147.7	147.7	inch
Throat (T)	15.8	15.8	15.8	15.8	15.8	15.8	15.8	inch
Table Width	2.4	2.4	2.4	2.4	2.4	2.4	2.4	inch
Max. back gauge range X-axis (2/4/5-axis)	41.4	41.4	41.4	41.4	41.4	41.4	41.4	inch
X-axis travel (2/4/5-axis)	23.7	23.7	23.7	23.7	23.7	23.7	23.7	inch
X-axis speed for 2/4/5-axis (up to)	1536	1536	1536	1536	1536	1536	1536	in/min
X-axis accuracy (2/4/5-axis)	0.0016	0.0016	0.0016	0.0016	0.0016	0.0016	0.0016	inch
R-axis travel (2/4/5-axis)	9.9	9.9	9.9	9.9	9.9	9.9	9.9	inch
R-axis speed for 2/4/5-axis (up to)	473	473	473	473	473	473	473	in/min
R-axis accuracy (2/4/5-axis)	0.004	0.004	0.004	0.004	0.004	0.004	0.004	inch
Z-axis travel	75	75	76	114	75	114	114	inch
Z-axis speed for 4/5-axis (up to)	3544	3544	3544	3544	3544	3544	3544	in/min
Z-axis speed for 6-axis (up to)	2834.6	2834.6	2834.6	2834.6	2834.6	2834.6	2834.6	in/min
Z-axis accuracy (4/5-axis)	0.004	0.004	0.004	0.004	0.004	0.004	0.004	inch
Accuracy Y-axis	0.00016	0.00016	0.00016	0.00016	0.00016	0.00016	0.00016	inch
Oil capacity	82	82	123	123	123	123	165	gal
Electric supply (Classic, Performance edition)	20	25	30	30	35	35	46	hp
Electric supply (Dynamic edition)	25	30	35	35	46	46	55	hp
Weight	24251	24251	38581	46297	38581	46297	55115	lbs
Proposed foot print approx. (L x W x H)								
Lenght	236	236	236	276	236	276	276	inch
Width	177	177	177	177	177	177	177	inch
Height	134	134	142	142	142	142	142	inch

The right to make changes to dimensions, construction, and equipment is reserved. ISO-9001-certified.

The technical data can vary in the different countries,
according to the security rules and the chosen configuration of the machine.

Type	Xpert Pro Extended 100/3100	Xpert Pro Extended 150/3100	Xpert Pro Extended 200/3100	Xpert Pro Extended 200/4300	Xpert Pro Extended 250/3100	Xpert Pro Extended 250/4300	Xpert Pro Extended 320/4300	
Tonnage	110	165	220	220	275	275	352	t
Bending length	122.1	122.1	122.1	169.2	122.1	169.2	169.2	inch
Standard stroke (S)	17.7	17.7	17.7	17.7	17.7	17.7	17.7	inch
Open height (D)	33.1	33.1	33.1	33.1	33.1	33.1	33.1	inch
Distance between side frames	108.3	108.3	108.3	147.7	108.3	147.7	147.7	inch
Throat (T)	15.8	15.8	15.8	15.8	15.8	15.8	15.8	inch
Table Width	2.4	2.4	2.4	2.4	2.4	2.4	2.4	inch
Max. back gauge range X-axis (2/4/5-axis)	41.4	41.4	41.4	41.4	41.4	41.4	41.4	inch
X-axis travel (2/4/5-axis)	23.7	23.7	23.7	23.7	23.7	23.7	23.7	inch
X-axis speed for 2/4/5-axis (up to)	1536	1536	1536	1536	1536	1536	1536	in/min
X-axis accuracy (2/4/5-axis)	0.0016	0.0016	0.0016	0.0016	0.0016	0.0016	0.0016	inch
R-axis travel (2/4/5-axis)	9.9	9.9	9.9	9.9	9.9	9.9	9.9	inch
R-axis speed for 2/4/5-axis (up to)	473	473	473	473	473	473	473	in/min
R-axis accuracy (2/4/5-axis)	0.004	0.004	0.004	0.004	0.004	0.004	0.004	inch
Z-axis travel	75	75	76	114	75	114	114	inch
Z-axis speed for 4/5-axis (up to)	3544	3544	3544	3544	3544	3544	3544	in/min
Z-axis speed for 6-axis (up to)	2834.6	2834.6	2834.6	2834.6	2834.6	2834.6	2834.6	in/min
Z-axis accuracy (4/5-axis)	0.004	0.004	0.004	0.004	0.004	0.004	0.004	inch
Accuracy Y-axis	0.00016	0.00016	0.00016	0.00016	0.00016	0.00016	0.00016	inch
Oil capacity	82	82	123	123	123	123	165	gal
Electric supply (Classic, Performance edition)	20	25	30	30	35	35	46	hp
Electric supply (Dynamic edition)	25	30	35	35	46	46	55	hp
Weight	28660	28660	45194	51808	45194	51808	61729	lbs
Proposed foot print approx. (L x W x H)								
Lenght	236	236	236	276	236	276	276	inch
Width	177	177	177	177	177	177	177	inch
Height	157	157	162	162	162	162	165	inch

The right to make changes to dimensions, construction, and equipment is reserved. ISO-9001-certified.

The technical data can vary in the different countries,
according to the security rules and the chosen configuration of the machine.