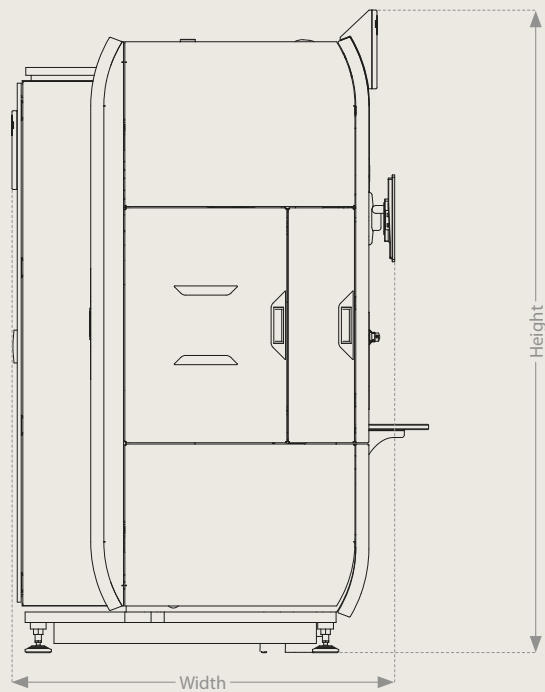
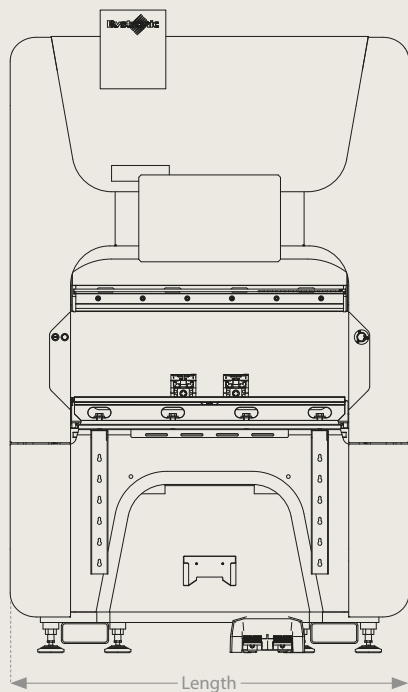


# Technical Data

## Xpert 40 + 80

	Xpert 40/1030	Xpert 80/1530	
Length	60	80	inch
Width	65	67	inch
Height	96	105	inch



Type	Xpert 40/1030	Xpert 80/1530	
Tonnage	44	88	t
Bending length	40.551	60.2	inch
Standard stroke	7.874	7.9	inch
Open height	20.276	20.3	inch
Distance between the side stands	41.732	61.8	inch
Table width	2.362	2.4	inch
Max. backgauge range in X	19.685	19.7	inch
X-axis travel	11.811	11.8	inch
X-axis speed	3543	3543	inch/min
R-axis travel	3.937	3.9	inch
R-axis speed	1181	1181	inch/min
Z-axis travel	37.598	57.3	inch
Z-axis speed	4724	4724	inch/min
Max. Y-rapid traverse	591	591	inch/min
Max. Y-working speed	59	59	inch/min
Y-axis accuracy	0.00016	0.00016	inch
Oil capacity	26.5	53	gal
Main motor power	7.5	15	kW
Weight	8818	14.330	lbs

The right to make changes to dimensions, construction, and equipment is reserved. ISO-9001-certified.

**Bystronic: Best choice.**

Cutting | Bending | Automation  
bystronic.com