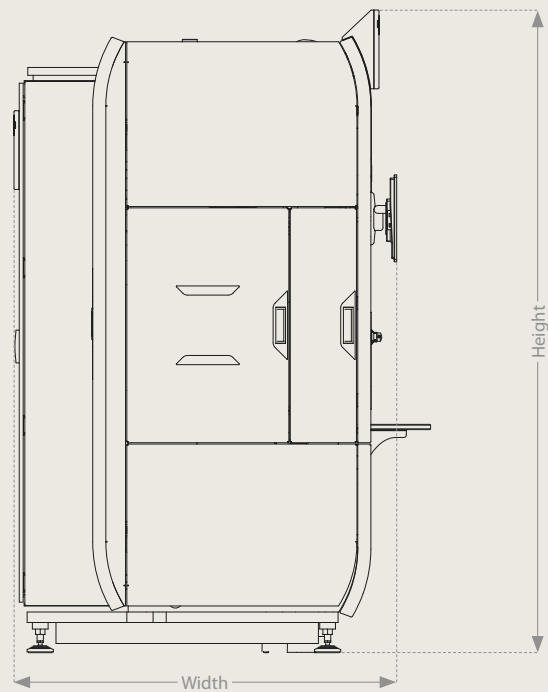
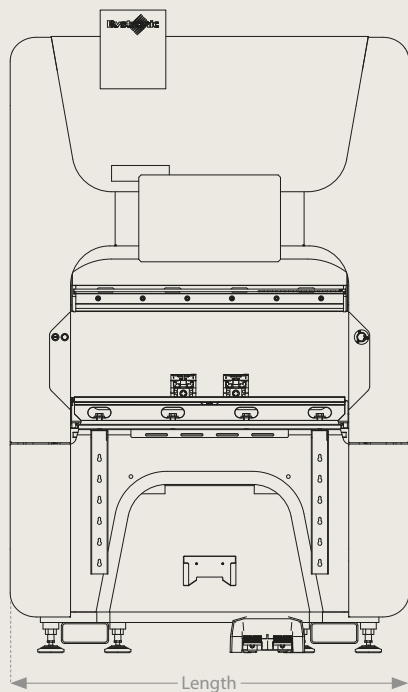


Technical Data

Xpert 40 + 80

	Xpert 40/1030	Xpert 80/1530	
Length	1520	2030	mm
Width	1584	1700	mm
Height	2449	2659	mm



Type	Xpert 40/1030	Xpert 80/1530	
Tonnage	400	800	kN
Bending length	1030	1530	mm
Standard stroke	200	200	mm
Open height	515	515	mm
Distance between the side stands	1060	1570	mm
Table width	60	60	mm
Max. backgauge range in X	500	500	mm
X-axis travel	300	300	mm
X-axis speed	1500	1500	mm/s
R-axis travel	100	100	mm
R-axis speed	500	500	mm/s
Z-axis travel	955	1455	mm
Z-axis speed	2000	2000	mm/s
Max. Y-rapid traverse	300	250	mm/s
Max. Y-working speed	25	25	mm/s
Y-axis accuracy	0,004	0,004	mm
Oil capacity	100	200	l
Main motor power	7,5	15	kW
Weight	4	6,5	t

The right to make changes to dimensions, construction, and equipment is reserved. ISO-9001-certified.

Bystronic: Best choice.

Cutting | Bending | Automation
bystronic.com