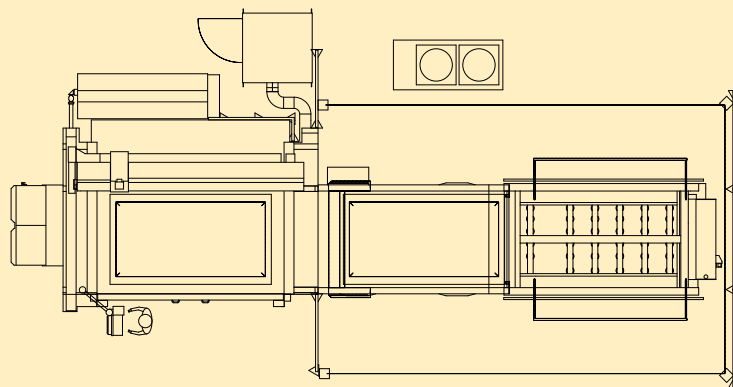
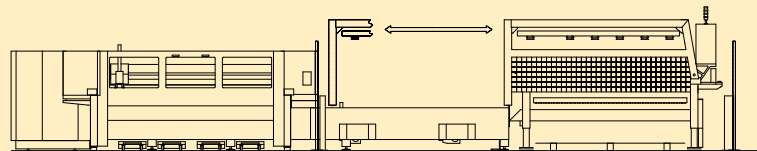


Technical Data

ByTrans/ByTrans Extended

Dimensions according to assembly plan

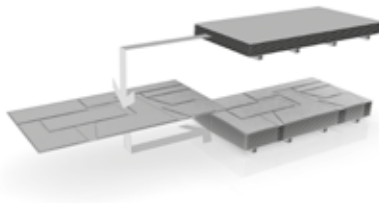


Usage variants

ByTrans and ByTrans Extended

■ ByTrans 3015

One cassette for raw material

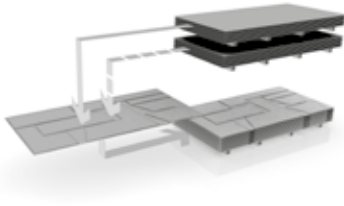


Cassette 1: raw material

Storage: cut sheets

■ ByTrans Extended 3015/ByTrans 4020 Extended

Two cassettes for raw material



Cassettes 1 and 2: raw material

Storage: cut sheets

Large parts and sheet skeletons separated



Cassette 1: raw material
Cassette 2: large parts storage

Storage: scrap

Cut sheets with plastic sheet separators



Cassette 1: raw material
Cassette 2: intermediate storage

Storage: cut sheets with plastic sheet separators

Bystronic: Best choice.

Cutting | Bending | Automation
bystronic.com

Complete system	ByTrans 3015	ByTrans 3015 Extended	ByTrans 4020 Extended	
Nominal sheet size	3000 × 1500	3000 × 1500	4000 × 2000	mm
Maximum sheet metal size	3048 × 1524	3048 × 1524	4064 × 2080	mm
Sheet metal sizes	3000 × 1500 2500 × 1250 2000 × 1000	variable	variable	mm
Number of cassettes	1	2	2	
Sheet metal thickness (loading and unloading)	0.8 to 25	0.8 to 25	0.8 to 20	mm
Maximum sheet weight	890	890	1300	kg
Raw material, stacking height (incl. pallet)	max. 240	max. 240	max. 240	mm
Raw material, stacking weight	max. 3000	max. 3000	max. 3000	kg
Cut sheets, stacking height (incl. pallet)	max. 350	max. 350	max. 350	mm
Material	Construction steel Stainless steel Aluminum			
Loading	with forklift truck or overhead crane			
Unloading	with forklift truck			
Standard cycle time*	60	60	75	s
Cycle time with large part removal*	–	140	190	s
Cycle time with insertion of protective material*	–	155	210	s
Operation	Via touch screen of the operating terminal of the laser cutting system			
Module weight (net)	4500	5000	7200	kg
Maximum electrical consumption ByTrans/ByTrans Extended (supplied via cabinet of the laser cutting system)	6.0	6.0	6.0	kW
Compressed air consumption	max. 10	max. 10	max. 10	m ³ /h

* without table change machine; for a normal cutting plan with a cutting time > cycle time.

The right to make changes to dimensions, construction, and equipment is reserved. ISO-9001-certified.

Bystronic: Best choice.

Cutting | Bending | Automation
bystronic.com