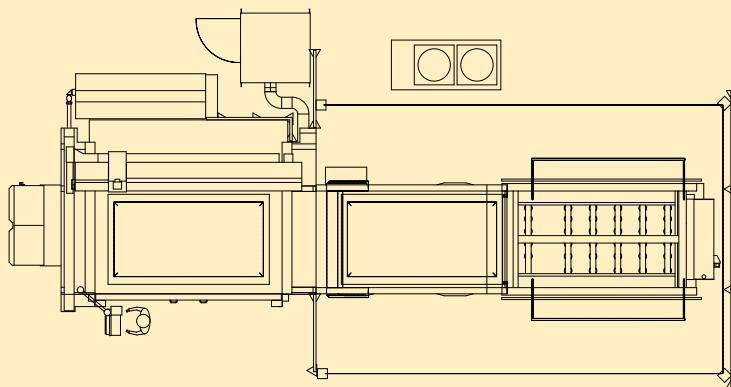
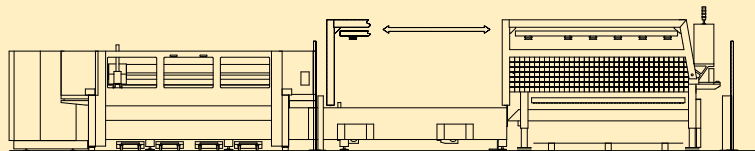


Technical Data

ByTrans/ByTrans Extended

Dimensions according to assembly plan

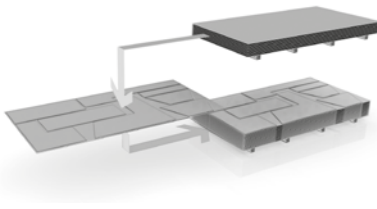


Usage variants

ByTrans and ByTrans Extended

■ ByTrans 3015

One cassette for raw material

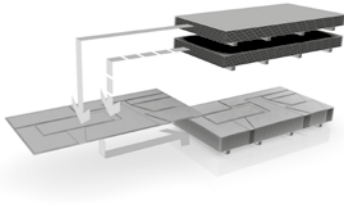


Cassette 1: raw material

Storage: cut sheets

■ ByTrans Extended 3015/ByTrans 4020 Extended

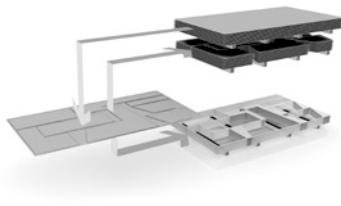
Two cassettes for raw material



Cassettes 1 and 2: raw material

Storage: cut sheets

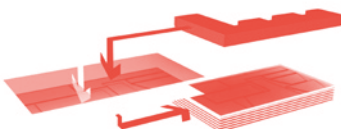
Large parts and sheet skeletons separated



Cassette 1: raw material
Cassette 2: large parts storage

Storage: scrap

Cut sheets with plastic sheet separators



Cassette 1: raw material
Cassette 2: intermediate storage

Storage: cut sheets with plastic sheet separators

Bystronic: Best choice.

Cutting | Bending | Automation
bystronic.com

Complete system	ByTrans 3015	ByTrans 3015 Extended	ByTrans 4020 Extended	
Nominal sheet size	120 × 60	120 × 60	160 × 80	inch
Maximum sheet metal size	120 × 60	120 × 60	160 × 82	inch
Sheet metal sizes	120 × 60 100 × 50 80 × 40	variable	variable	inch
Number of cassettes	1	2	2	
Sheet metal thickness (loading and unloading)	0.032 to 1.000	0.032 to 1.000	0.032 to 0.800	inch
Maximum sheet weight	1985	1985	2900	lbs
Raw material, stacking height (incl. pallet)	max. 9.4	max. 9.4	max. 9.4	inch
Raw material, stacking weight	max. 6613	max. 6613	max. 6613	lbs
Cut sheets, stacking height (incl. pallet)	max. 14	max. 14	max. 14	inch
Material	Construction steel Stainless steel Aluminum			
Loading	with forklift truck or overhead crane			
Unloading	with forklift truck			
Standard cycle time*	60	60	75	s
Cycle time with large part removal*	–	140	190	s
Cycle time with insertion of protective material*	–	155	210	s
Operation	Via touch screen of the operating terminal of the laser cutting system			
Module weight (net)	9920	11,023	15,900	lbs
Maximum electrical consumption ByTrans/ByTrans Extended (supplied via cabinet of the laser cutting system)	6.0	6.0	6.0	kW
Compressed air consumption	max. 355	max. 355	max. 355	ft ³ /h

* without table change machine; for a normal cutting plan with a cutting time > cycle time.

The right to make changes to dimensions, construction, and equipment is reserved. ISO-9001-certified.

Bystronic: Best choice.

Cutting | Bending | Automation
bystronic.com