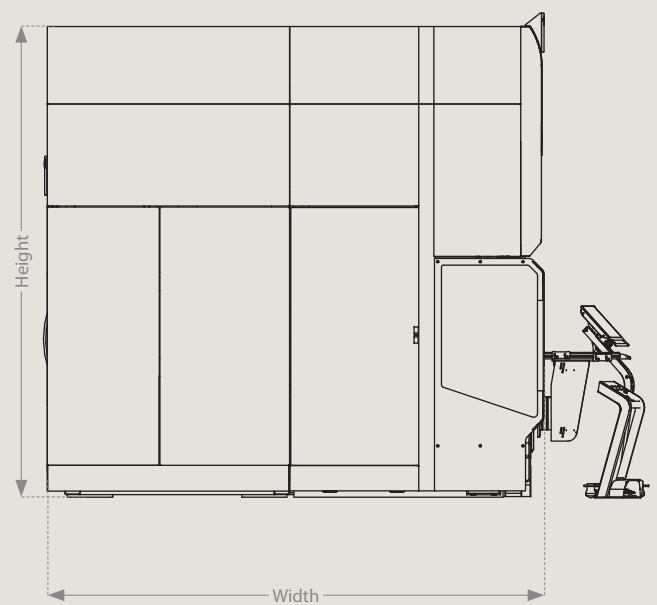
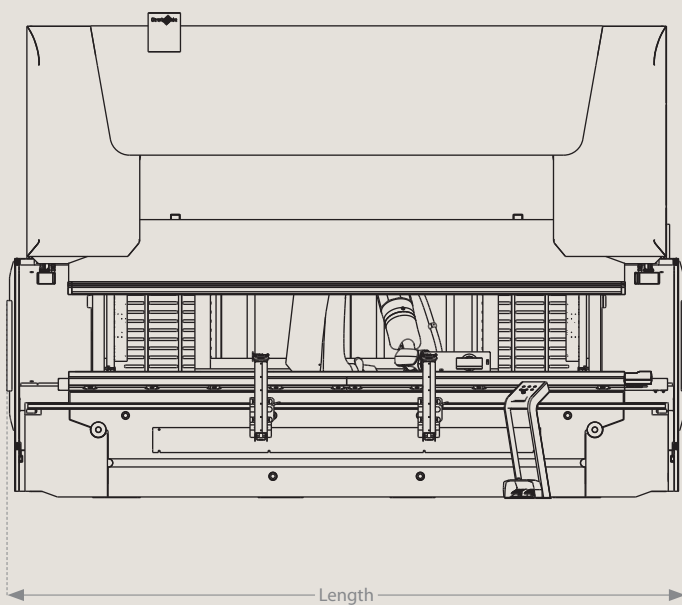


Technical Data

Modular Tool Changer

Modular Tool Changer

Length	5255	mm
Width	3878	mm
Height	3651	mm



Type	Xpert Pro Series	
Tonnage	1000 – 3200	kN
Bending length	3100 – 4300	mm
Standard stroke (S)	450	mm
Open height (D)	840	mm
Throat (T)	400	mm
Table Width	74/110	mm
Max. tool capacity tool magazine	*52	m
Max. length upper tool	**515	mm
Max. height upper tool	350	mm
Max. length bottom tool	**515	mm
Max. bottom tool opening	120	mm

* 4300 mm Bending length

** 25 kg Tool Weight max.

The right to make changes to dimensions, construction, and equipment is reserved. ISO-9001-certified.

The technical data can vary in the different countries,
according to the security rules and the chosen configuration of the machine.